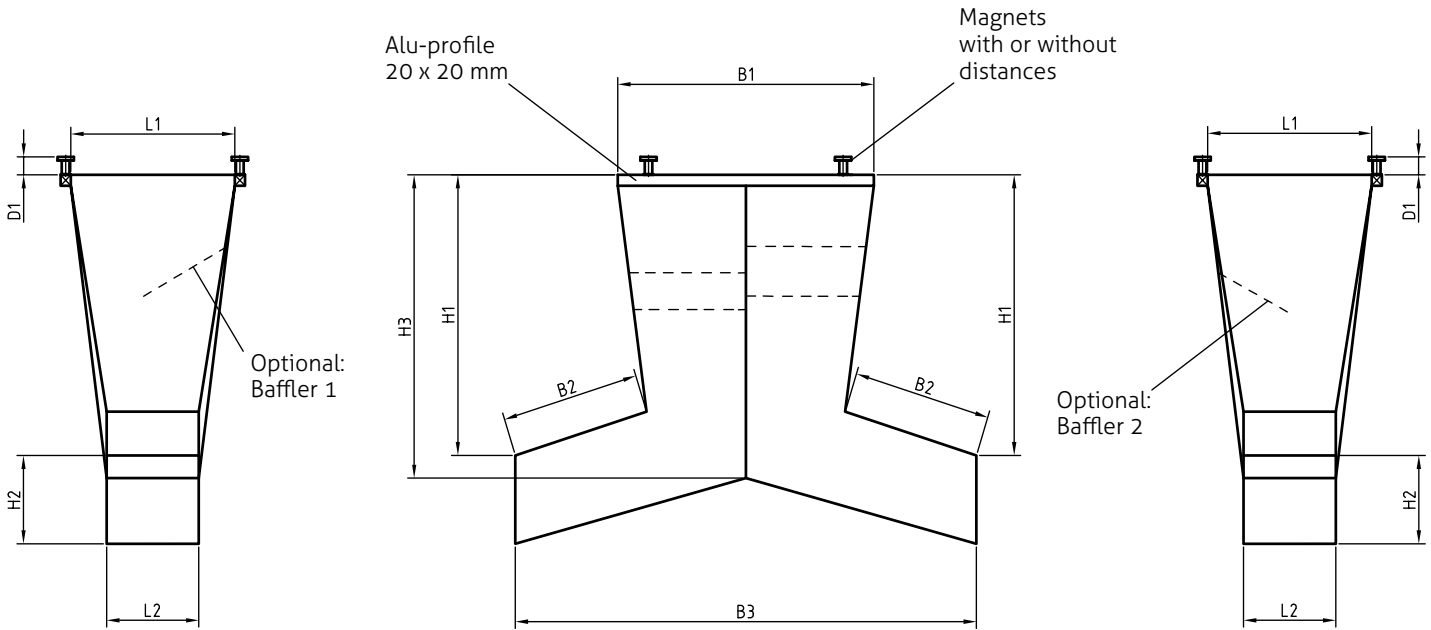


| | | | |
|-------------|--|------------------|--|
| Company | <input style="width: 90%;" type="text"/> | Contact person | <input style="width: 90%;" type="text"/> |
| Street, No. | <input style="width: 90%;" type="text"/> | Phone | <input style="width: 90%;" type="text"/> |
| ZIP | <input style="width: 90%;" type="text"/> | Mail | <input style="width: 90%;" type="text"/> |
| City | <input style="width: 90%;" type="text"/> | Quantity (piece) | <input style="width: 90%;" type="text"/> |



Width

B1= mm

Width of runout top

B2= mm

Width of runout bottom

B3= mm

Distance to the tool (min. 8 mm magnetheight)

D1= mm

Height from top of the funnel to the top of the runout

H1= mm

Height of runout

H2= mm

Body height

H3= mm

Length

L1= mm

Length of runout

L2= mm

Options:

Baffler 1 Size of the moulded parts (L x W x H)

Baffler 2 mm

Changeable base

Material:

FM100.001 (PE, blue) FM100.003 (PVC, blue) FM100.005 (PP, white, FDA)

FM100.002 (PVC, silver) FM100.004 (Kevlar, silver) FM100.006 (PBT, white)