

Company

Street, No.

ZIP

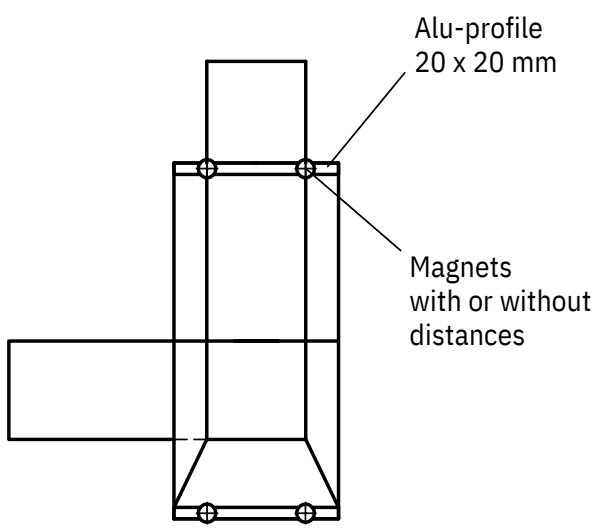
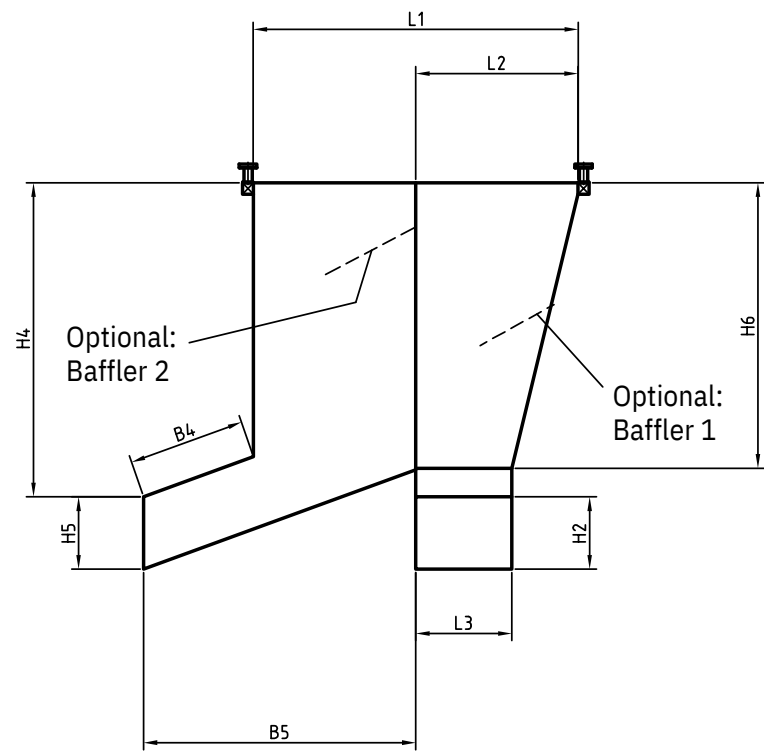
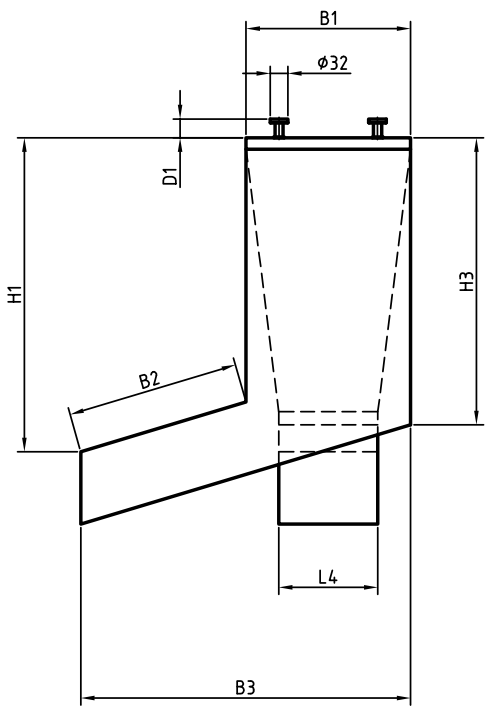
City

Contact person

Phone

Mail

Quantity (piece)



Width	B1= <input style="width: 50px;" type="text"/> mm
Length of runout top (Funnel 1)	B2= <input style="width: 50px;" type="text"/> mm
Length of runout bottom (Funnel 1)	B3= <input style="width: 50px;" type="text"/> mm
Length of runout top (Funnel 2)	B4= <input style="width: 50px;" type="text"/> mm
Length of runout bottom (Funnel 2)	B5= <input style="width: 50px;" type="text"/> mm
Distance to the tool (min. 8 mm magnetheight)	D1= <input style="width: 50px;" type="text"/> mm
Height from top of the funnel to the top of the runout (Funnel 1)	H1= <input style="width: 50px;" type="text"/> mm
Height of runout (Funnel 1)	H2= <input style="width: 50px;" type="text"/> mm
Body height (Funnel 1)	H3= <input style="width: 50px;" type="text"/> mm
Height from top of the funnel to the top of the runout (Funnel 2)	H4= <input style="width: 50px;" type="text"/> mm
Height of runout (Funnel 2)	H5= <input style="width: 50px;" type="text"/> mm
Body height (Funnel 2)	H6= <input style="width: 50px;" type="text"/> mm
Length	L1= <input style="width: 50px;" type="text"/> mm
Length top (Funnel 1)	L2= <input style="width: 50px;" type="text"/> mm
Length of runout (Funnel 1)	L3= <input style="width: 50px;" type="text"/> mm
Length of runout (Funnel 2)	L4= <input style="width: 50px;" type="text"/> mm

Options:

<input type="checkbox"/> Baffler 1	Size of the moulded parts (L x W x H)
<input type="checkbox"/> Baffler 2	<input style="width: 300px;" type="text"/> mm
<input type="checkbox"/> Changeable base	

Material:

<input type="checkbox"/> FM100.001 (PE, blue)	<input type="checkbox"/> FM100.003 (PVC, blue)	<input type="checkbox"/> FM100.005 (PP, white, FDA)
<input type="checkbox"/> FM100.002 (PVC, silver)	<input type="checkbox"/> FM100.004 (Kevlar, silver)	<input type="checkbox"/> FM100.006 (PBT, white)