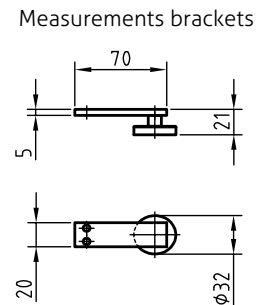
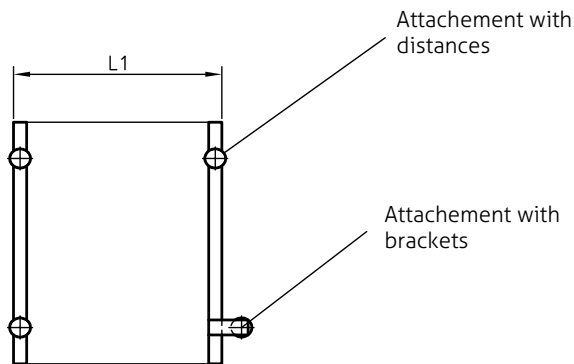
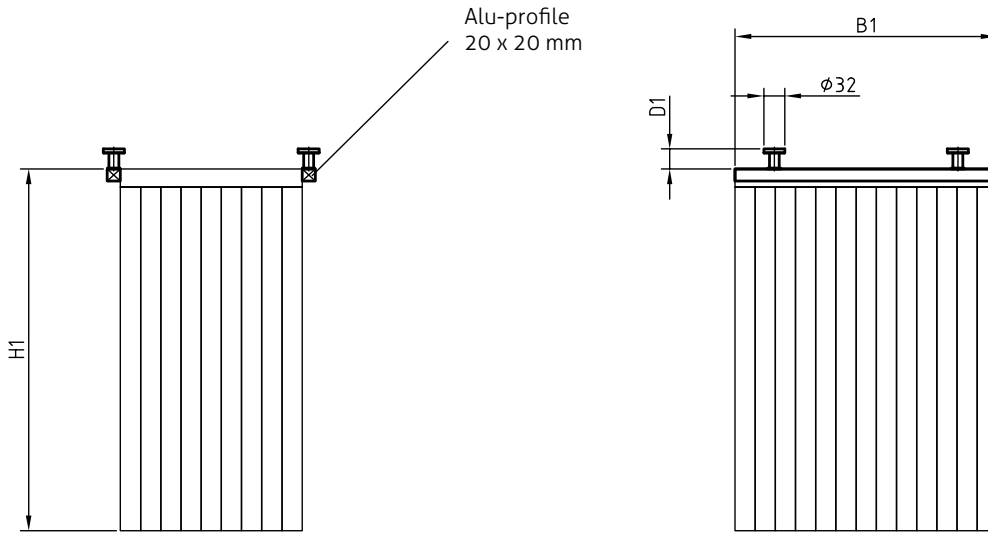


Company	<input style="width: 95%;" type="text"/>	Contact person	<input style="width: 95%;" type="text"/>
Street, No.	<input style="width: 95%;" type="text"/>	Phone	<input style="width: 95%;" type="text"/>
ZIP	<input style="width: 95%;" type="text"/>	Mail	<input style="width: 95%;" type="text"/>
City	<input style="width: 95%;" type="text"/>	Quantity (piece)	<input style="width: 95%;" type="text"/>



Width

B1= mm

Distance to the tool (min. 8 mm magnetheight)

D1= mm

Height

H1= mm

Length

L1= mm

Options:

Attachement with brackets (4 pieces)

Attachement with distances (4 pieces)

Material:

FM100.002 (PVC, silver)

FM100.003 (PVC, blue)