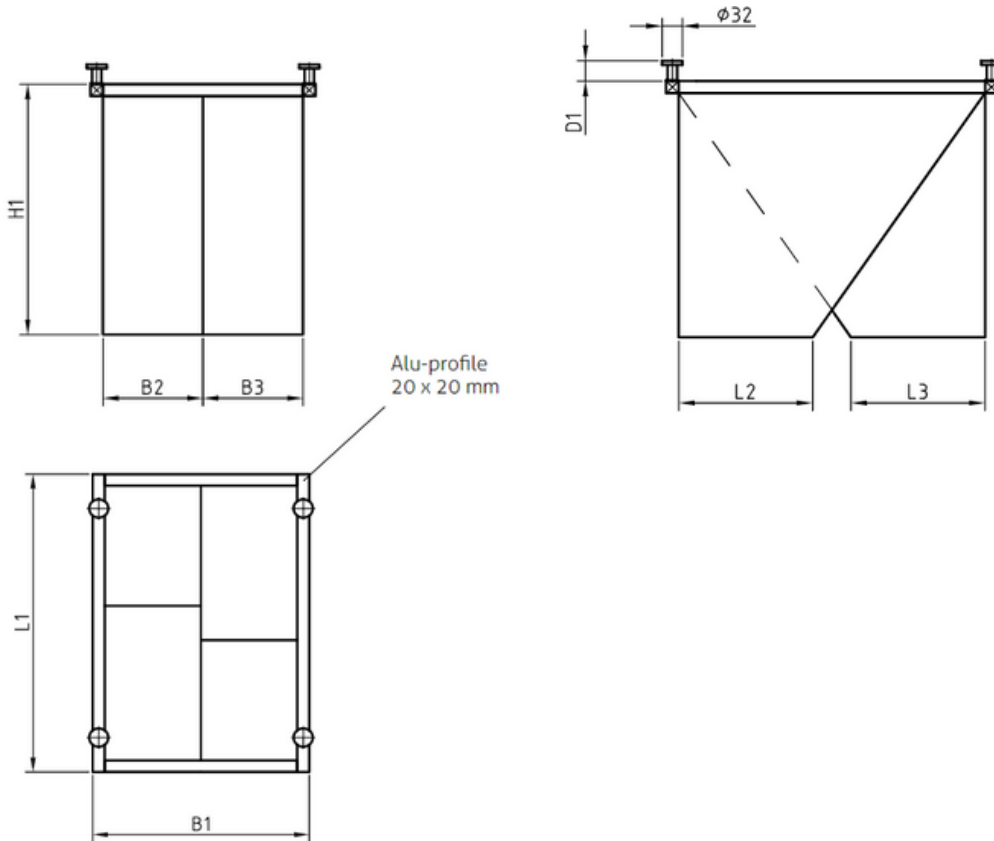


Company	<input type="text"/>	Contact person	<input type="text"/>
Street, No.	<input type="text"/>	Phone	<input type="text"/>
ZIP	<input type="text"/>	Mail	<input type="text"/>
City	<input type="text"/>	Quantity (piece)	<input type="text"/>



Width	B1= <input type="text"/> mm
Width of runout 1	B2= <input type="text"/> mm
Width of runout 2	B3= <input type="text"/> mm
Distance to the tool (min. 8 mm magnetheight)	D1= <input type="text"/> mm
Height	H1= <input type="text"/> mm
Length	L1= <input type="text"/> mm
Length of runout 1	L2= <input type="text"/> mm
Length of runout 2	L3= <input type="text"/> mm
Size of the moulded parts (L x W x H)	<input type="text"/> mm

Material:

- | | | |
|--|---|---|
| <input type="checkbox"/> FM100.001 (PE, blue) | <input type="checkbox"/> FM100.003 (PVC, blue) | <input type="checkbox"/> FM100.005 (PP, white, FDA) |
| <input type="checkbox"/> FM100.002 (PVC, silver) | <input type="checkbox"/> FM100.004 (Kevlar, silver) | <input type="checkbox"/> FM100.006 (PBT, white) |