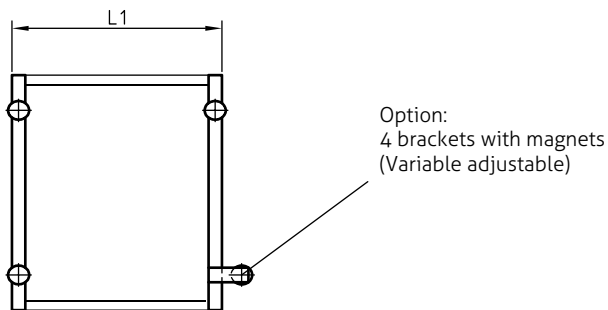
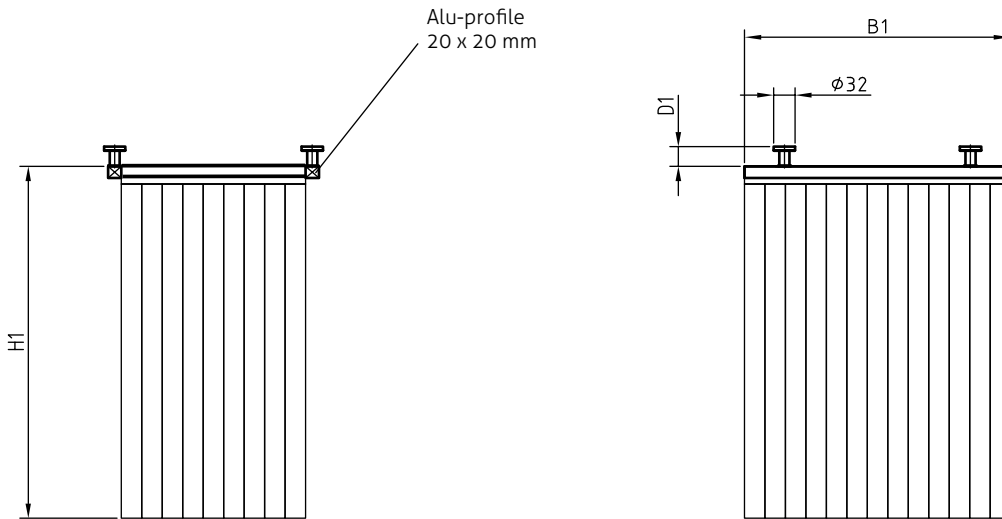
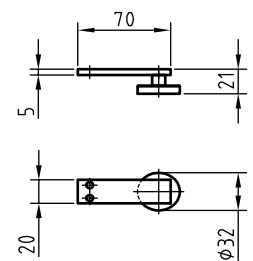


Company <input style="width: 90%;" type="text"/> Street, No. <input style="width: 90%;" type="text"/> ZIP <input style="width: 90%;" type="text"/> City <input style="width: 90%;" type="text"/>	Contact person <input style="width: 90%;" type="text"/> Phone <input style="width: 90%;" type="text"/> Mail <input style="width: 90%;" type="text"/> Quantity (piece) <input style="width: 90%;" type="text"/>
---	---



Measurements brackets



Width   
 Distance to the tool (min. 8 mm magnetheight)   
 Height   
 Length

B1=  mm  
 D1=  mm  
 H1=  mm  
 L1=  mm

Options:

- Attachment with brackets (4 pieces)
- Attachment with distances (4 pieces)

Material:

- FM100.002 (PVC, silver)
- FM100.003 (PVC, blue)