

Company

Street, No.

ZIP

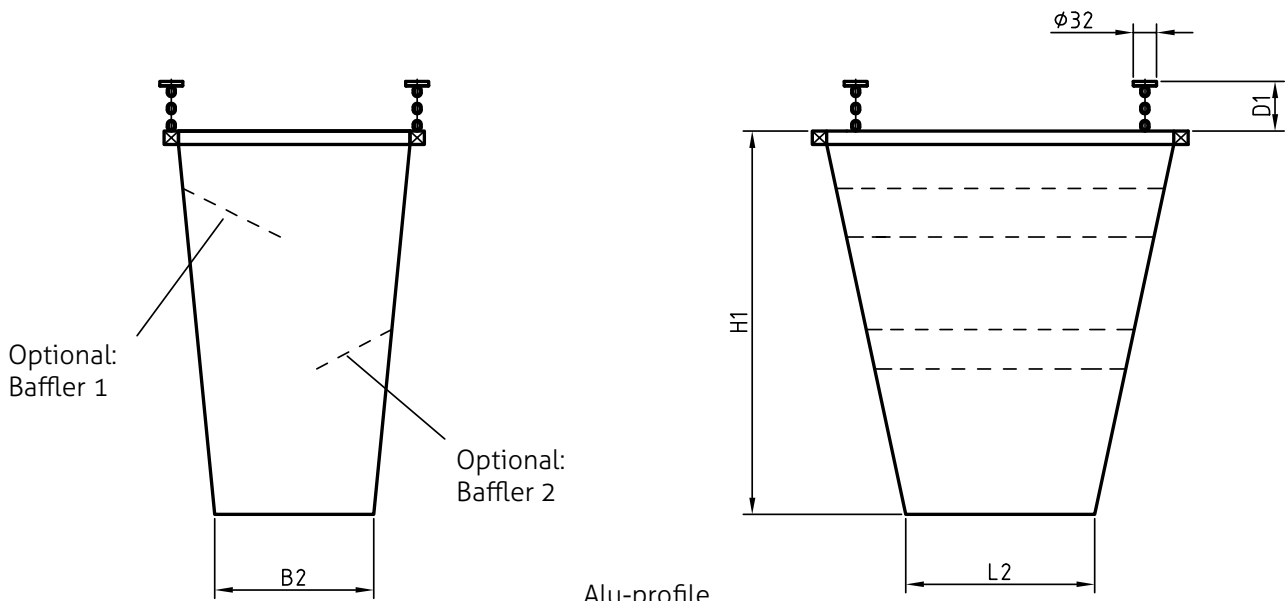
City

Contact person

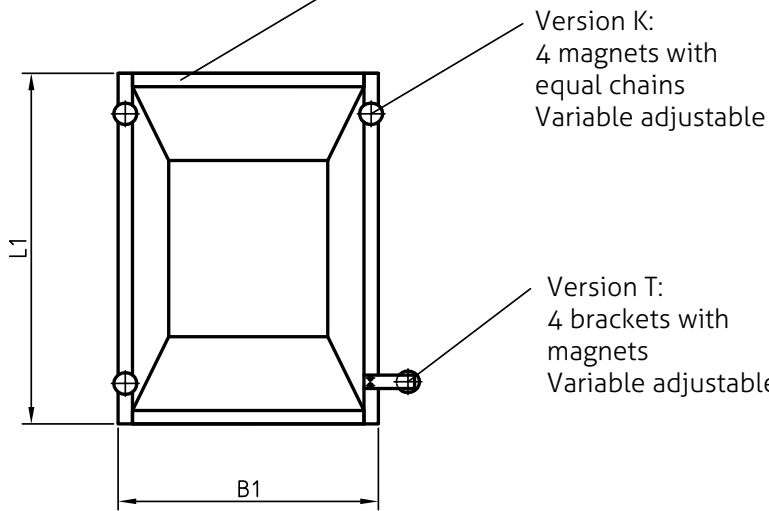
Phone

Mail

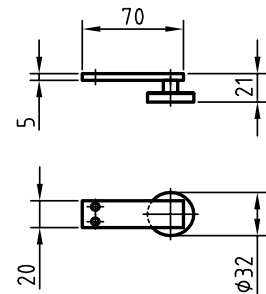
Quantity (piece)



Alu-profile  
20 x 20 mm



Measurements brackets



Width B1=  mm  
Width of runout B2=  mm  
Distance to the tool (min. 8 mm magnetheight) D1=  mm  
Height H1=  mm  
Length L1=  mm  
Length of runout L2=  mm

Options:

- Baffler 1                      Size of the moulded parts (L x W x H)
- Baffler 2                       mm
- Version K: 4 chains with magnets (standard 200 mm)
- Version T: 4 brackets with magnets
- Version D: distances with magnets

Material:

- FM100.001 (PE, blue)       FM100.003 (PVC, blue)       FM100.005 (PP, white, FDA)
- FM100.002 (PVC, silver)       FM100.004 (Kevlar, silver)       FM100.006 (PBT, white)