

Company

Street, No.

ZIP

City

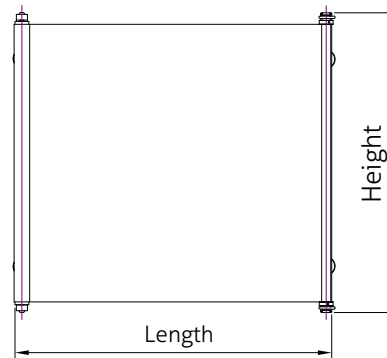
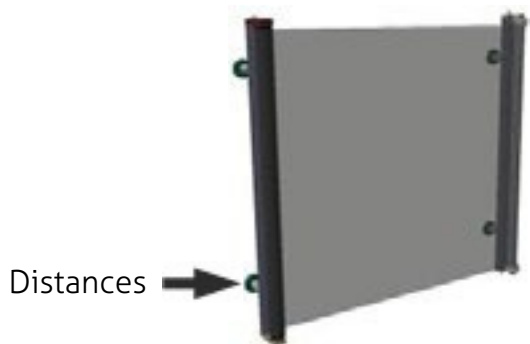
Contact person

Phone

Mail

Please choose one of the standards below.

If there is no size which fit your requirements best, please fill out the form for specific sizes.



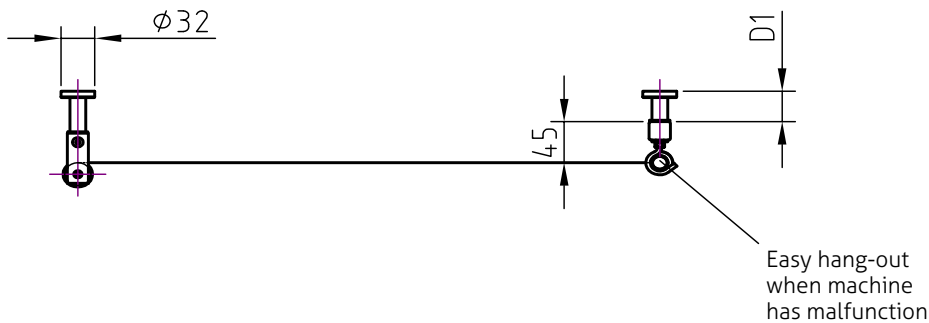
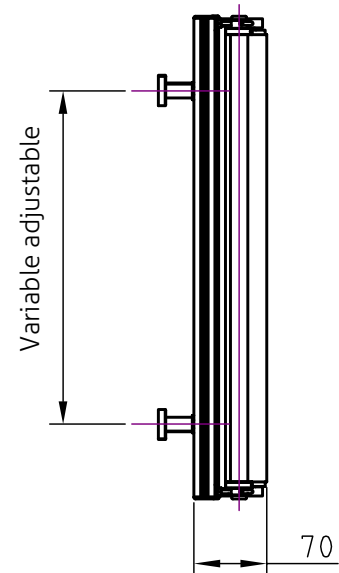
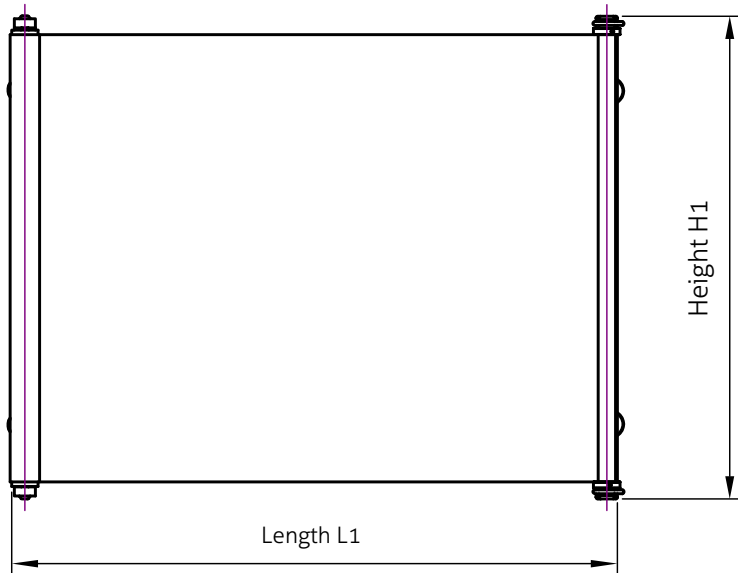
Quantity [piece]	Article number	Height [mm]	Length [mm]	Distances [mm]	Material	
					FM100.007 anthracite	FM100.008 white, FDA
	110.235.550	235	550	45	<input type="checkbox"/>	<input type="checkbox"/>
	110.235.750	235	750	45	<input type="checkbox"/>	<input type="checkbox"/>
	110.295.550	295	550	45	<input type="checkbox"/>	<input type="checkbox"/>
	110.295.750	295	750	45	<input type="checkbox"/>	<input type="checkbox"/>
	110.335.550	335	550	45	<input type="checkbox"/>	<input type="checkbox"/>
	110.335.750	335	750	45	<input type="checkbox"/>	<input type="checkbox"/>
	110.380.550	380	550	45	<input type="checkbox"/>	<input type="checkbox"/>
	110.380.750	380	750	45	<input type="checkbox"/>	<input type="checkbox"/>
	110.435.550	435	550	45	<input type="checkbox"/>	<input type="checkbox"/>
	110.435.750	435	750	45	<input type="checkbox"/>	<input type="checkbox"/>
	110.535.550	535	550	45	<input type="checkbox"/>	<input type="checkbox"/>
	110.535.750	535	750	45	<input type="checkbox"/>	<input type="checkbox"/>
	110.635.550	635	550	45	<input type="checkbox"/>	<input type="checkbox"/>
	110.635.750	635	750	45	<input type="checkbox"/>	<input type="checkbox"/>

Options:

- Handles (left & right) for better handling during assembly / disassembly of the curtain
- Side protection plates (left & right) to close the gap between tool and curtain
- Floating bearing to compensate non parallel assembly of the curtain to reduce abrasion

INQUIRY SIDE PROTECTION CURTAIN RS (SPECIFIC SIZE)

Company	<input type="text"/>	Contact person	<input type="text"/>
Street, No.	<input type="text"/>	Phone	<input type="text"/>
ZIP	<input type="text"/>	Mail	<input type="text"/>
City	<input type="text"/>	Quantity (piece)	<input type="text"/>



Length L1= mm

Height H1= mm

Distance to the tool (min. 8 mm magnetheight) D1= mm

Options:

- Handles (left & right) for better handling during assembly / disassembly of the curtain
- Side protection plates (left & right) to close the gap between tool and curtain
- Floating bearing to compensate non parallel assembly of the curtain to reduce abrasion

Material:

- FM100.007 (anthracite)
- FM100.008 (white, FDA)