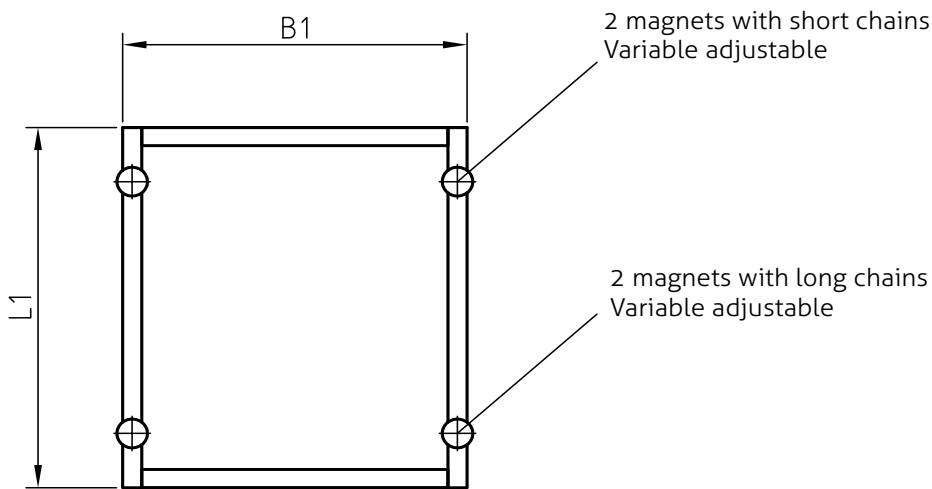
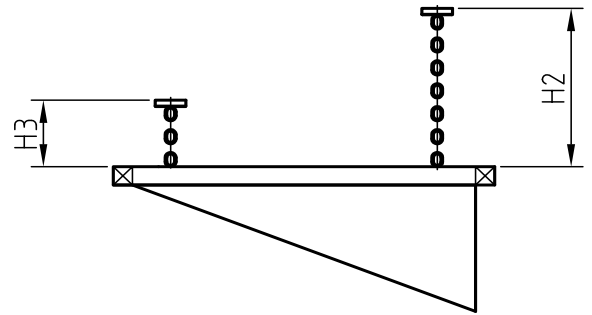
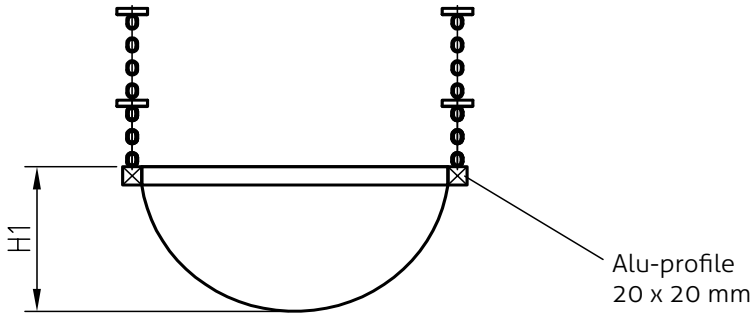


Company  
Street, No.  
ZIP  
City

Contact person  
Phone  
Mail  
Quantity (piece)



Width	B1=	mm
Length	L1=	mm
Height	H1=	mm
Length of front chains	H2=	mm
Length of back chains	H3=	mm

Material:

- |                         |                            |                            |
|-------------------------|----------------------------|----------------------------|
| FM100.001 (PE, blue)    | FM100.003 (PVC, blue)      | FM100.005 (PP, white, FDA) |
| FM100.002 (PVC, silver) | FM100.004 (Kevlar, silver) | FM100.006 (PBT, white)     |