

Company

Street, No.

ZIP

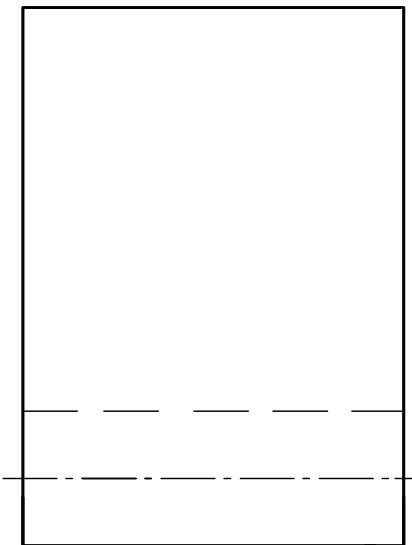
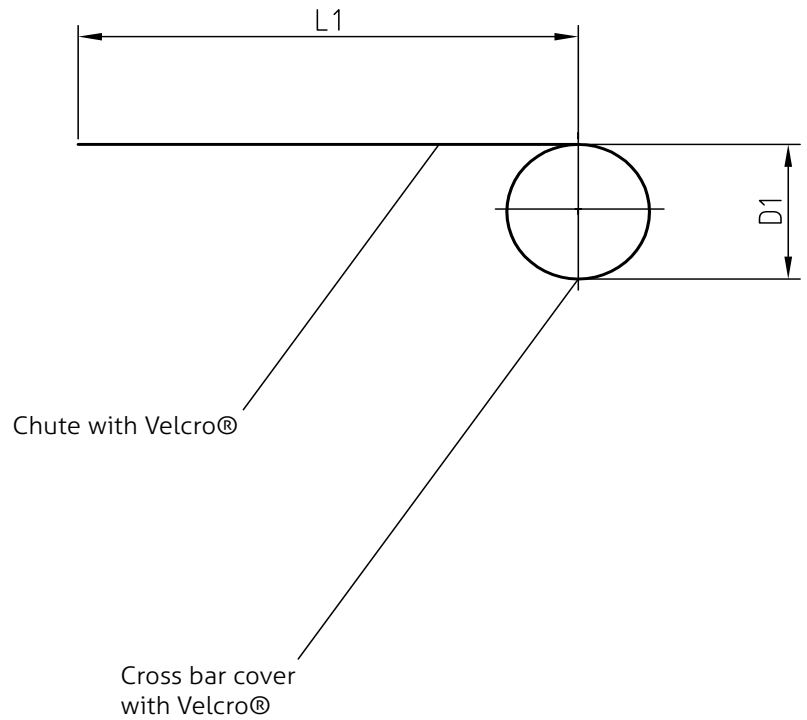
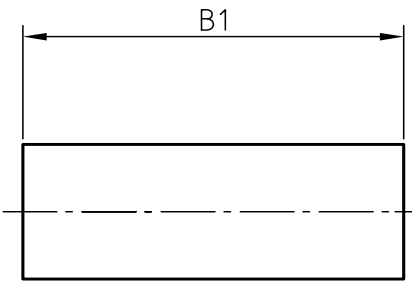
City

Contact person

Phone

Mail

Quantity (piece)



Width of the chute

B1= mm

Length of the chute

L1= mm

Diameter of the cross bar

D1= mm

Material:

FM100.002 (PVC, silver)

FM100.003 (PVC, blue)