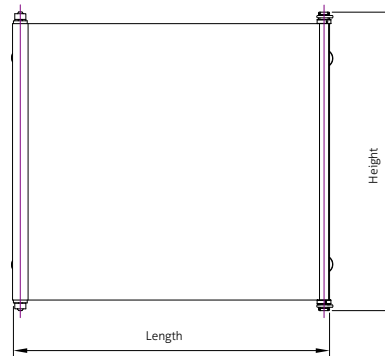
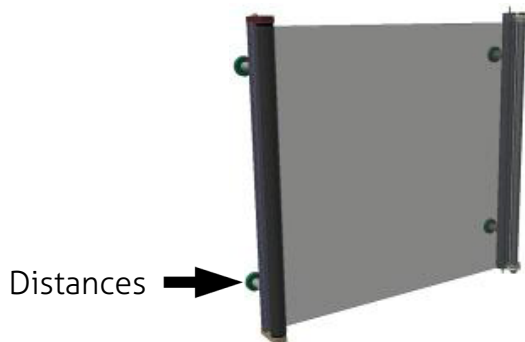


Company
Street, No.
ZIP
City

Contact person
Phone
Mail

Please choose one of the **standards** below.

If there is no size which fit your requirements best, please fill out the form for specific sizes.



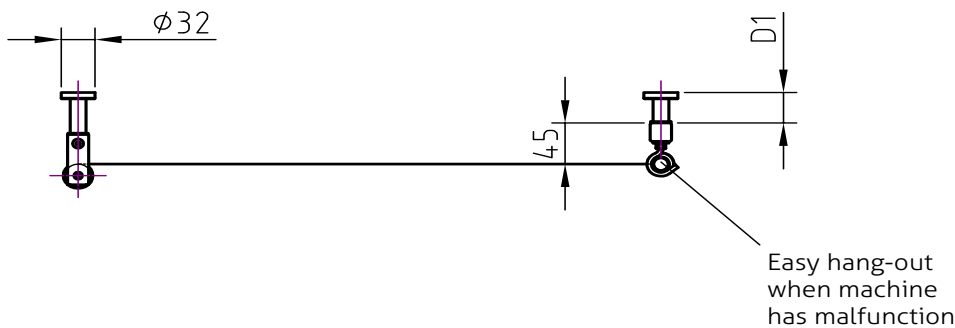
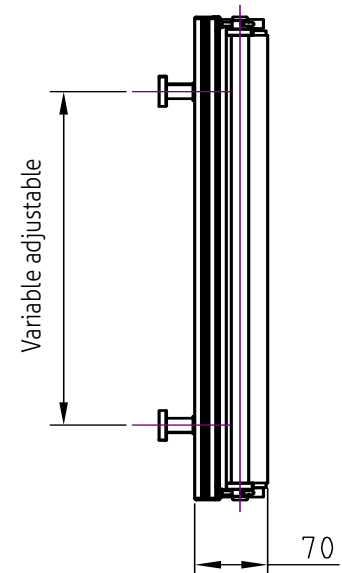
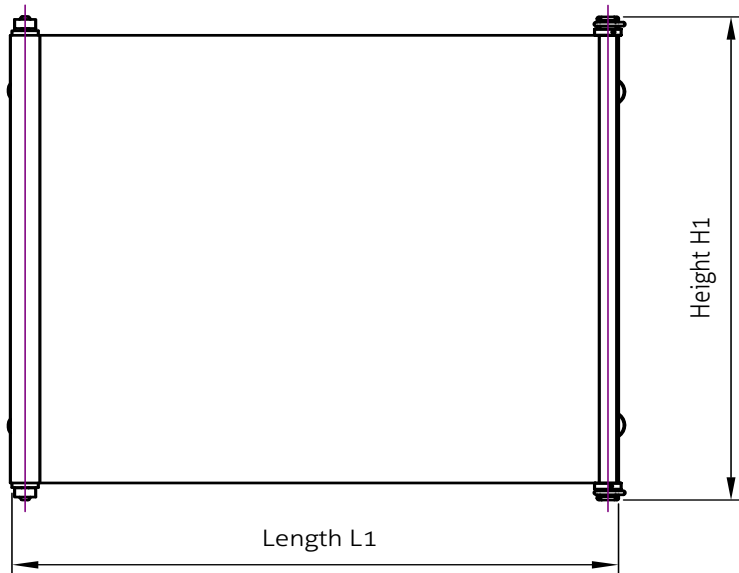
Quantity [piece]	Article number	Height [mm]	Length [mm]	Distances [mm]	Material	
					FM100.007 anthracite	FM100.008 white, FDA
	110.235.550	235	550	45		
	110.235.750	235	750	45		
	110.295.550	295	550	45		
	110.295.750	295	750	45		
	110.335.550	335	550	45		
	110.335.750	335	750	45		
	110.380.550	380	550	45		
	110.380.750	380	750	45		
	110.435.550	435	550	45		
	110.435.750	435	750	45		
	110.535.550	535	550	45		
	110.535.750	535	750	45		
	110.635.550	635	550	45		
	110.635.750	635	750	45		

Options:

- Handles (left & right) for better handling during assembly / disassembly of the curtain
- Side protection plates (left & right) to close the gap between tool and curtain
- Floating bearing to compensate non parallel assamby of the curtain to reduce abrasion

Company
Street, No.
ZIP
City

Contact person
Phone
Mail
Quantity (piece)



Length	L1=	mm
Height	H1=	mm
Distance to the tool (min. 8 mm magnetheight)	D1=	mm

Options:

- Handles (left & right) for better handling during assembly / disassembly of the curtain
- Side protection plates (left & right) to close the gap between tool and curtain
- Floating bearing to compensate non parallel assamby of the curtain to reduce abrasion

Material:

FM100.007 (anthracite)

FM100.008 (white, FDA)