

Company

Street, No.

ZIP

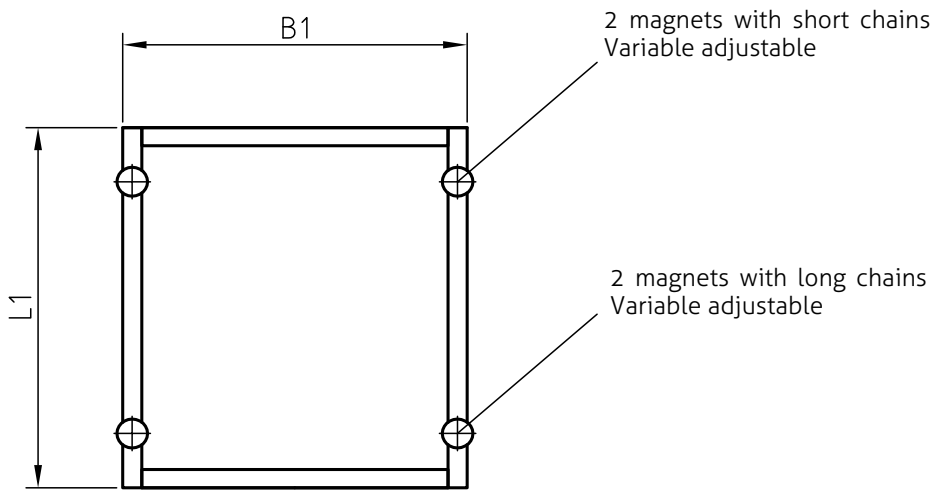
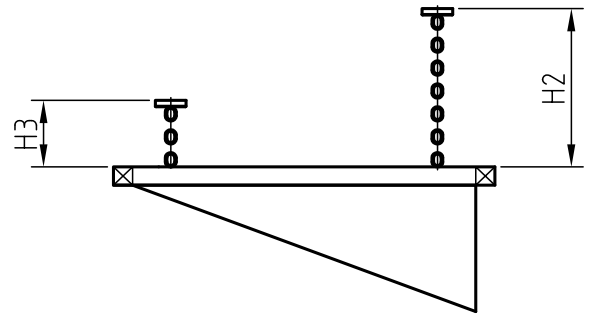
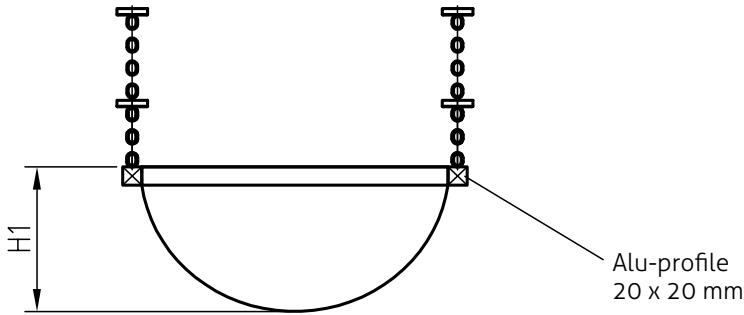
City

Contact person

Phone

Mail

Quantity (piece)



Width

B1= mm

Length

L1= mm

Height

H1= mm

Length of front chains

H2= mm

Length of back chains

H3= mm

Material:

- | | | |
|--------------------------------------------------|-----------------------------------------------------|-----------------------------------------------------|
| <input type="checkbox"/> FM100.001 (PE, blue) | <input type="checkbox"/> FM100.003 (PVC, blue) | <input type="checkbox"/> FM100.005 (PP, white, FDA) |
| <input type="checkbox"/> FM100.002 (PVC, silver) | <input type="checkbox"/> FM100.004 (Kevlar, silver) | <input type="checkbox"/> FM100.006 (PBT, white) |