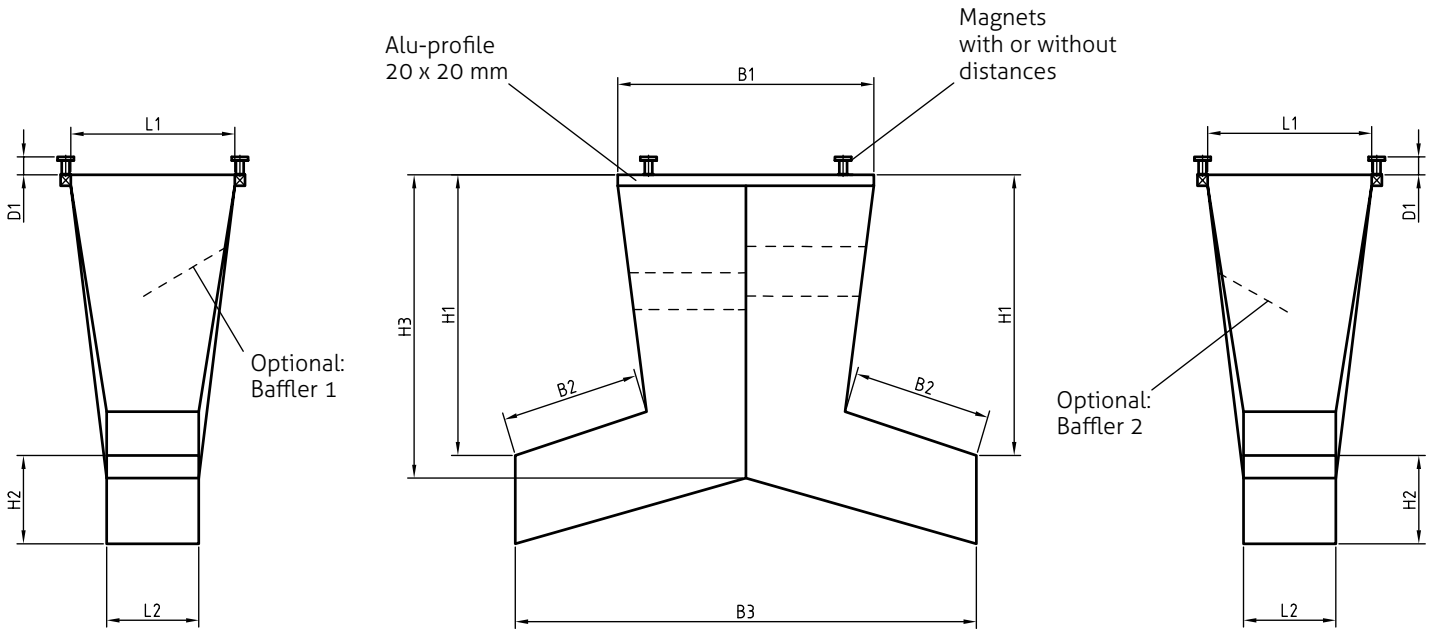


Company	<input style="width: 95%;" type="text"/>	Contact person	<input style="width: 95%;" type="text"/>
Street, No.	<input style="width: 95%;" type="text"/>	Phone	<input style="width: 95%;" type="text"/>
ZIP	<input style="width: 95%;" type="text"/>	Mail	<input style="width: 95%;" type="text"/>
City	<input style="width: 95%;" type="text"/>	Quantity (piece)	<input style="width: 95%;" type="text"/>



Width

B1=  mm

Width of runout top

B2=  mm

Width of runout bottom

B3=  mm

Distance to the tool (min. 8 mm magnetheight)

D1=  mm

Height from top of the funnel to the top of the runout

H1=  mm

Height of runout

H2=  mm

Body height

H3=  mm

Length

L1=  mm

Length of runout

L2=  mm

Options:

Baffler 1                      Size of the moulded parts (L x W x H)

Baffler 2                       mm

Changeable base

Material:

FM100.001 (PE, blue)       FM100.003 (PVC, blue)       FM100.005 (PP, white, FDA)

FM100.002 (PVC, silver)       FM100.004 (Kevlar, silver)       FM100.006 (PBT, white)