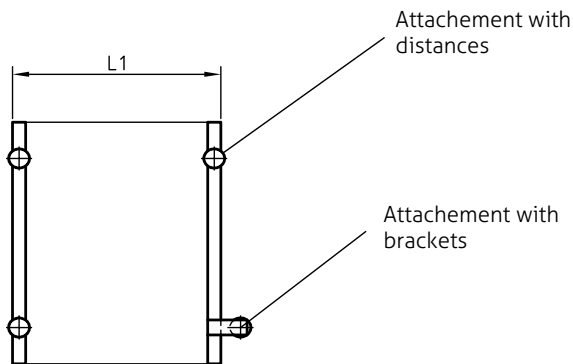
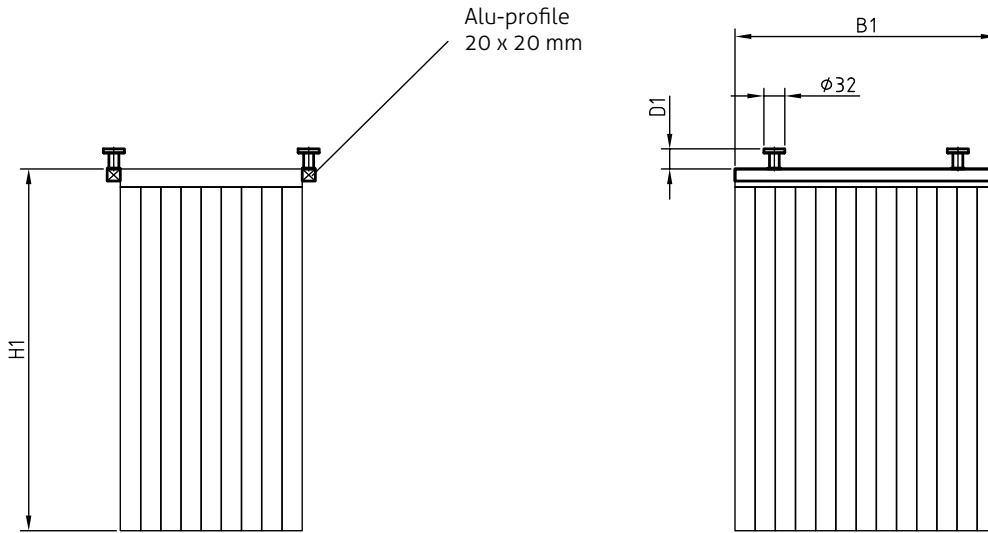
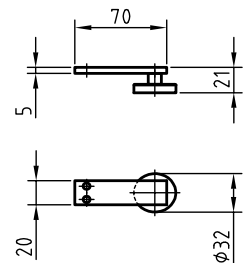


Company <input style="width: 90%;" type="text"/> Street, No. <input style="width: 90%;" type="text"/> ZIP <input style="width: 90%;" type="text"/> City <input style="width: 90%;" type="text"/>	Contact person <input style="width: 90%;" type="text"/> Phone <input style="width: 90%;" type="text"/> Mail <input style="width: 90%;" type="text"/> Quantity (piece) <input style="width: 90%;" type="text"/>
---	---



Measurements brackets



Width

Distance to the tool (min. 8 mm magnetheight)

Height

Length

B1= mm

D1= mm

H1= mm

L1= mm

Options:

- Attachement with brackets (4 pieces)
- Attachement with distances (4 pieces)

Material:

- FM100.002 (PVC, silver)
- FM100.003 (PVC, blue)