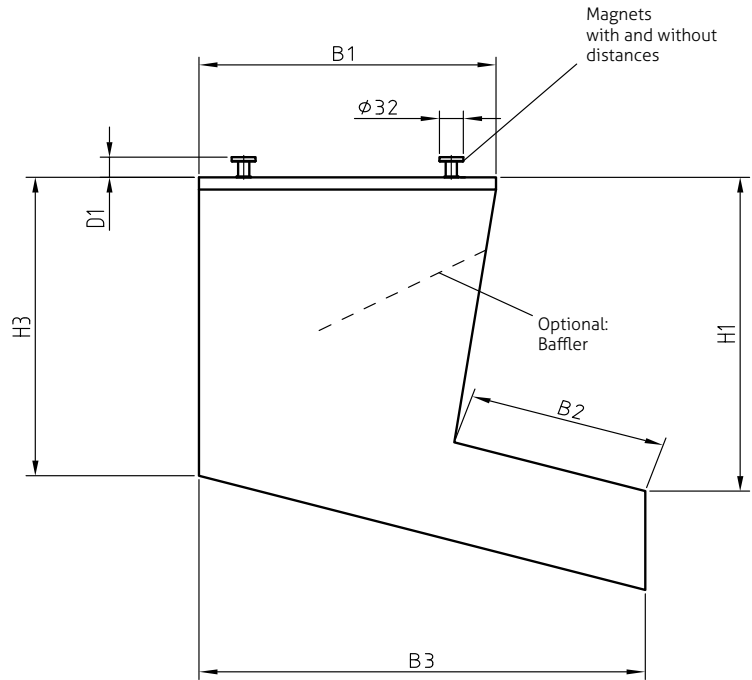
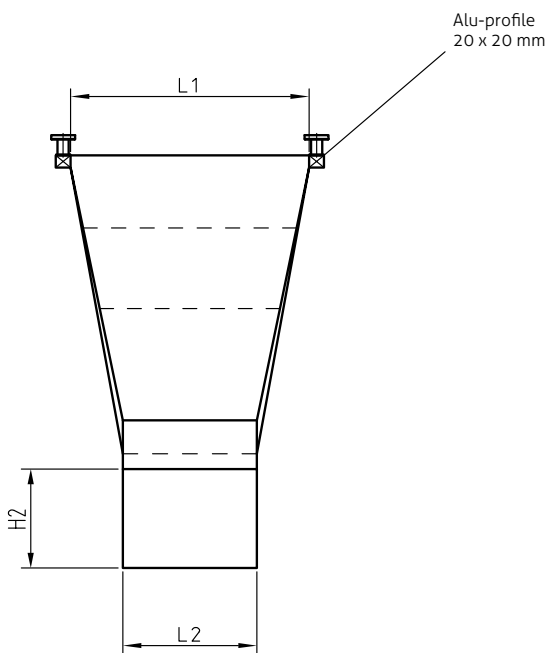


Company <input style="width: 90%;" type="text"/> Street, No. <input style="width: 90%;" type="text"/> ZIP <input style="width: 90%;" type="text"/> City <input style="width: 90%;" type="text"/>	Contact person <input style="width: 90%;" type="text"/> Phone <input style="width: 90%;" type="text"/> Mail <input style="width: 90%;" type="text"/> Quantity (piece) <input style="width: 90%;" type="text"/>
---	---



Width	B1= <input style="width: 40px;" type="text"/> mm
Width of the runout top	B2= <input style="width: 40px;" type="text"/> mm
Width of the runout bottom	B3= <input style="width: 40px;" type="text"/> mm
Distance to the tool (min. 8 mm magnetheight)	D1= <input style="width: 40px;" type="text"/> mm
Height from top of the funnel to the top of the runout	H1= <input style="width: 40px;" type="text"/> mm
Height of runout	H2= <input style="width: 40px;" type="text"/> mm
Body height	H3= <input style="width: 40px;" type="text"/> mm
Length	L1= <input style="width: 40px;" type="text"/> mm
Length of runout	L2= <input style="width: 40px;" type="text"/> mm

Options:

<input type="checkbox"/> Baffler 1	Size of the moulded parts (L x W x H) <input style="width: 300px; height: 20px;" type="text"/> mm
<input type="checkbox"/> Changeable base	

Material:

<input type="checkbox"/> FM100.001 (PE, blue)	<input type="checkbox"/> FM100.003 (PVC, blue)	<input type="checkbox"/> FM100.005 (PP, white, FDA)
<input type="checkbox"/> FM100.002 (PVC, silver)	<input type="checkbox"/> FM100.004 (Kevlar, silver)	<input type="checkbox"/> FM100.006 (PBT, white)