

Company

Street, No.

ZIP

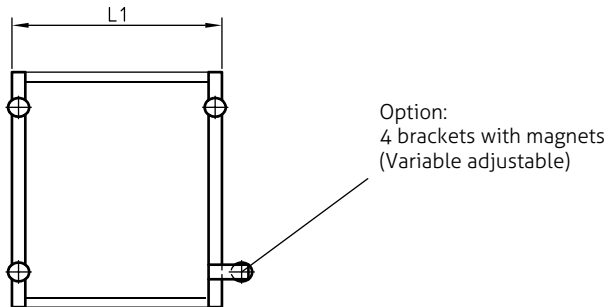
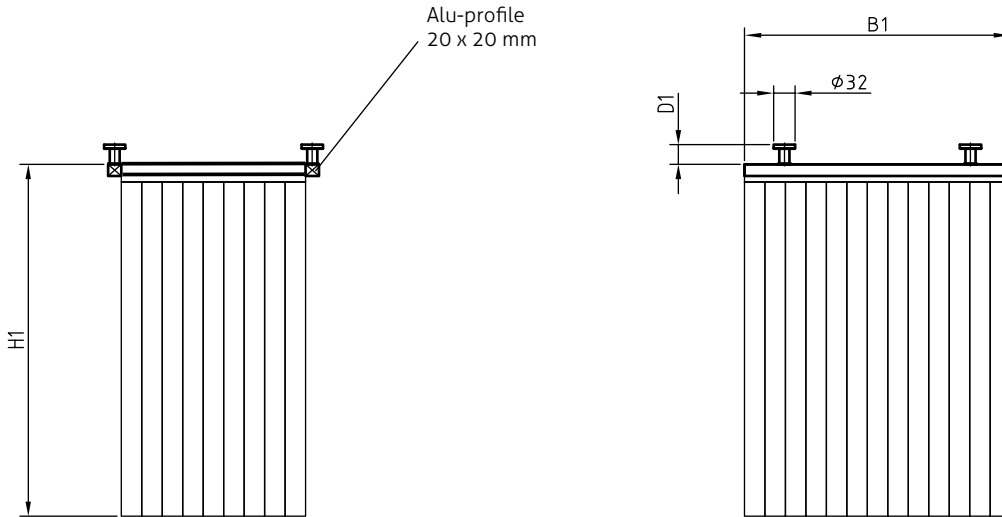
City

Contact person

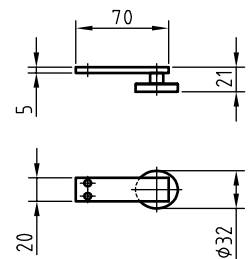
Phone

Mail

Quantity (piece)



Measurements brackets



Width

Distance to the tool (min. 8 mm magnetheight)

Height

Length

B1=  mm

D1=  mm

H1=  mm

L1=  mm

Options:

- Attachement with brackets (4 pieces)
- Attachement with distances (4 pieces)

Material:

- FM100.002 (PVC, silver)
- FM100.003 (PVC, blue)