

Company

Street, No.

ZIP

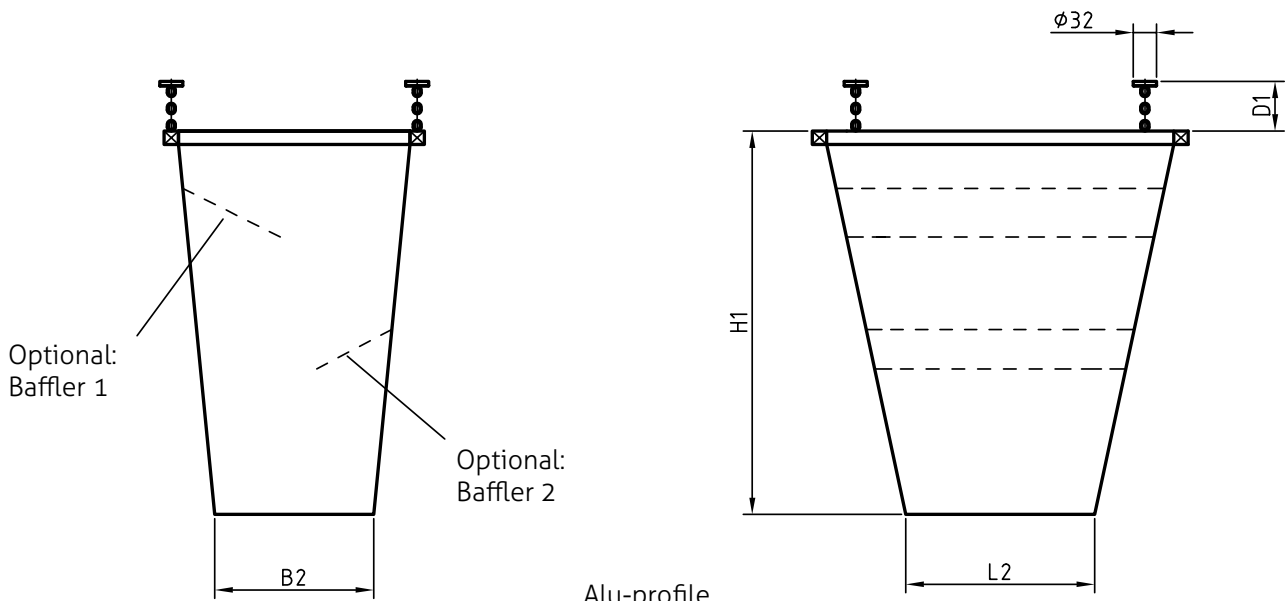
City

Contact person

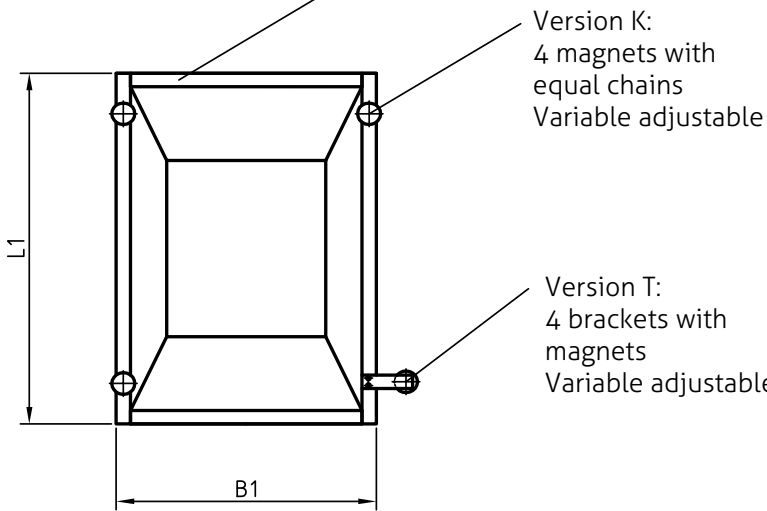
Phone

Mail

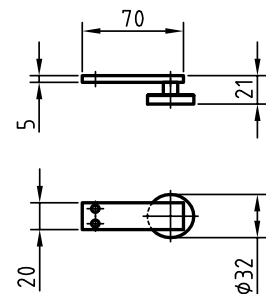
Quantity (piece)



Alu-profile  
20 x 20 mm



Measurements brackets



Width	B1= <input type="text"/> mm
Width of runout	B2= <input type="text"/> mm
Distance to the tool (min. 8 mm magnetheight)	D1= <input type="text"/> mm
Height	H1= <input type="text"/> mm
Length	L1= <input type="text"/> mm
Length of runout	L2= <input type="text"/> mm

Options:

Baffler 1                      Size of the moulded parts (L x W x H)

Baffler 2                       mm

Version K: 4 chains with magnets (standard 200 mm)

Version T: 4 brackets with magnets

Version D: distances with magnets

Material:

<input type="checkbox"/> FM100.001 (PE, blue)	<input type="checkbox"/> FM100.003 (PVC, blue)	<input type="checkbox"/> FM100.005 (PP, white, FDA)
<input type="checkbox"/> FM100.002 (PVC, silver)	<input type="checkbox"/> FM100.004 (Kevlar, silver)	<input type="checkbox"/> FM100.006 (PBT, white)